

156-28-KA-5054-01

- ROADS AND ROADWAY FEATURES**
- FUTURE ROAD
  - FEDERAL INTERSTATE
  - FEDERAL PRIMARY ROADWAY SYSTEM
  - FEDERAL SECONDARY ROADWAY SYSTEM
  - INTERSTATE NUMBERED HIGHWAY
  - U.S. NUMBERED HIGHWAY
  - STATE NUMBERED HIGHWAY
  - STATE UNNUMBERED HIGHWAY
  - UNIMPROVED ROADWAY WITH UNPAVED SURFACE
  - UNIMPROVED ROADWAY WITH PAVED SURFACE
  - SHARED HIGHWAY
  - HIGHWAY WITH INTERCHANGE OF ACCESS AND INTERCHANGES
- LEGEND**
- FEDERAL INTERSTATE
  - FEDERAL PRIMARY ROADWAY SYSTEM
  - FEDERAL SECONDARY ROADWAY SYSTEM
  - INTERSTATE NUMBERED HIGHWAY
  - U.S. NUMBERED HIGHWAY
  - STATE NUMBERED HIGHWAY
  - STATE UNNUMBERED HIGHWAY
  - UNIMPROVED ROADWAY WITH UNPAVED SURFACE
  - UNIMPROVED ROADWAY WITH PAVED SURFACE
  - SHARED HIGHWAY
  - HIGHWAY WITH INTERCHANGE OF ACCESS AND INTERCHANGES

**GENERAL HIGHWAY MAP**  
**FINNEY COUNTY**  
**KANSAS**

DEPARTMENT OF TRANSPORTATION  
 BUREAU OF TRANSPORTATION PLANNING  
 1110 WEST WYOMING ST., SUITE 100  
 LANSING, MISSOURI 64501  
 FEDERAL HIGHWAY ADMINISTRATION

SCALE: 1" = 1 MILE  
 1:50,000

MAP NO. 1822



MAP REPRODUCED FROM NOV. 11, 1982



## General Notes

6/21/2018

Page 1 of 1

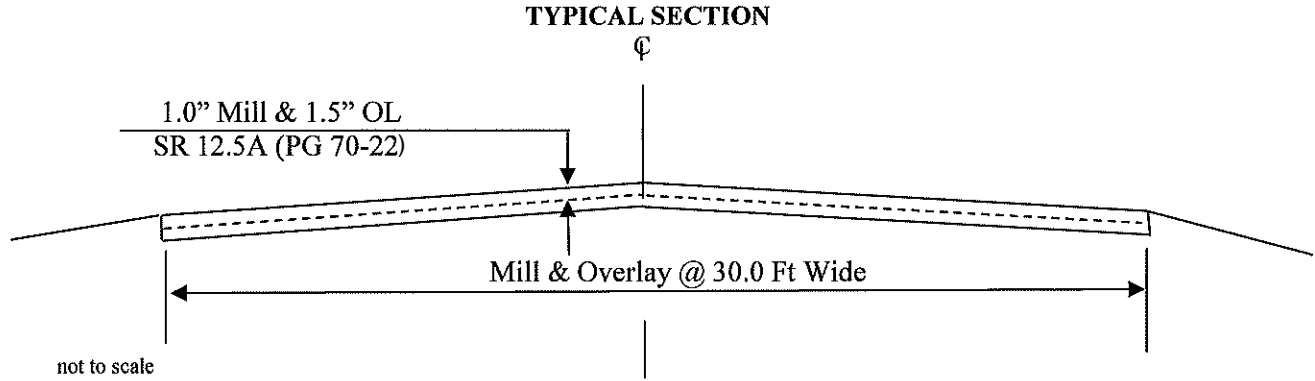
---

Project No. 156-28-KA- 5054 -01

### Note

- 1 All milled surfaces will be overlaid by the end of the day. No traffic will be allowed on the milled surface and the contractor must have a contingency plan in case of bad weather and/or equipment breakdown.
- 2 Millings: All remaining millings not used in the mix shall become the property of the contractor and hauled from the project.
- 3 Hauling and stockpiling of millings will not be paid for separately, but will be considered subsidiary to other items in the contract. Milling thickness will be adjusted at all approaches and grade crossings to allow for a reasonable transition.
- 4 Quantities for the milling are based on a nominal depth as shown on the typical at assumed unit weight of 145 lbs/cubic feet. The milling depth will not be increased if the unit weight is less than 145 lbs/cubic feet. The maximum depth will be as nominally shown on the typical section unless adjusted by the engineer in writing.
- 5 The contractor is responsible for establishing and maintaining centerline of the traveled way for the duration of the project. Splitting the traveled way with a tape measure is an acceptable technique to establish centerline. This work is considered subsidiary to other items in the contract.
- 6 To allow for a reasonable transition, the overlay is to be tapered approximately three feet at all paved roads and entrances. Existing surfaces to be cleaned and tacked before overlaid.
- 7 Contact Area Engineer at (620) 384-7821 for RAP sample location.

**(MILL & OVERLAY SAME DAY)**



- Typical Slope 1.56 % on Tangents and on super-elevated sections to match existing super or as directed by the Engineer.

**ROADWAY WIDTHS**

<b>ROADWAY MILL &amp; OVERLAY SR 12.5A (PG 70-22)</b>		Approx.			Approx.
Location	miles	Width	Location	miles	Width
Begin @ Concrete at Jennie Barker Road, thence East to West Junction K-23/K-156	21.332	30.00'			
<b>WIDEN(s)</b>					
West End Concrete Lt	0.1733	11.60'			
West End Concrete Rt	0.1214	8.80'			
Antelope Hills Intersection Lt	0.3197	6.30'			
Antelope Hills Intersection Rt	0.3197	5.00'			
Six Mile Road Lt	0.1117	7.50'			
Six Mile Road Rt	0.1894	5.50'			
Mennonite Road Lt	0.1629	5.60'			
Mennonite Road Rt	0.1629	5.60'			
Concannon Lake Lt	0.1477	5.90'			
Concannon Lake Rt	0.1629	6.00'			

**RATE OF APPLICATION**

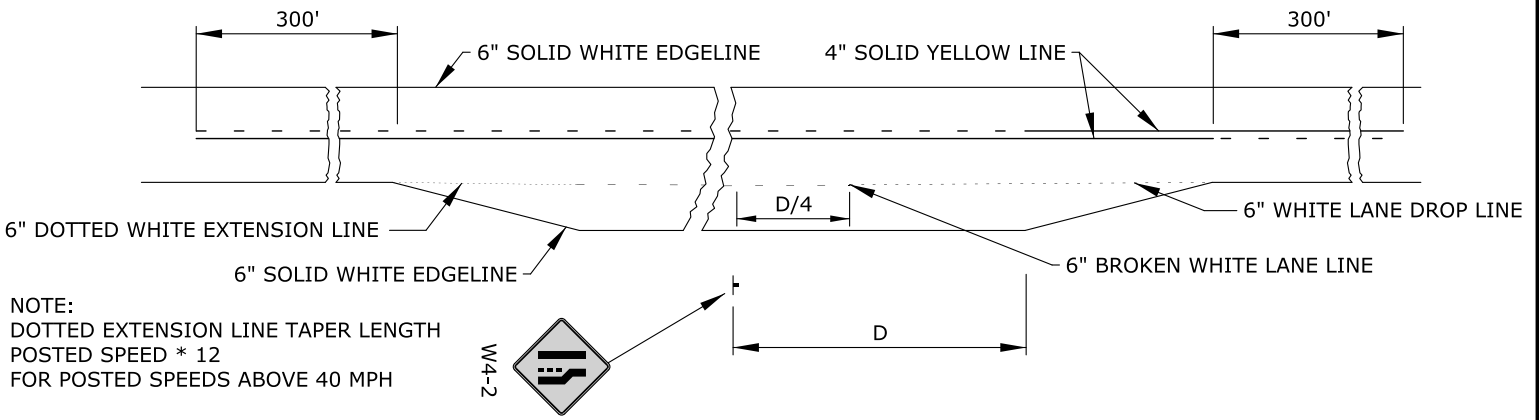
**SR 12.5A (PG 70-22)**

**Quantity based on SR-12.5A @ 0.0816 t/sqyd @ 1.5" Thick**

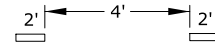
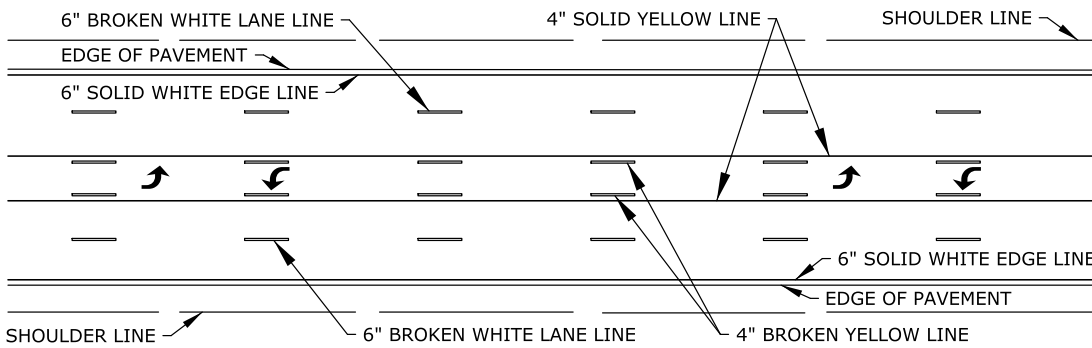
**SS-1HP or approved alternate shall be used for Tack**

**Milling based on 0.0544 t/sqyd @ 1.0" Thick**

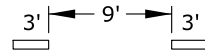
	Date: 06-21-2018	<b>KANSAS DEPARTMENT OF TRANSPORTATION</b>
<b>FINNEY Co.</b>	<b>PROJ. NO. 156-28-KA- 5054 -01</b>	<b>TITLE: MILL/OVERLAY</b>



TYPICAL MARKING FOR AUXILIARY PASSING LANE

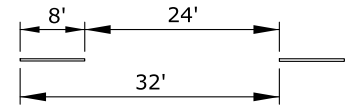
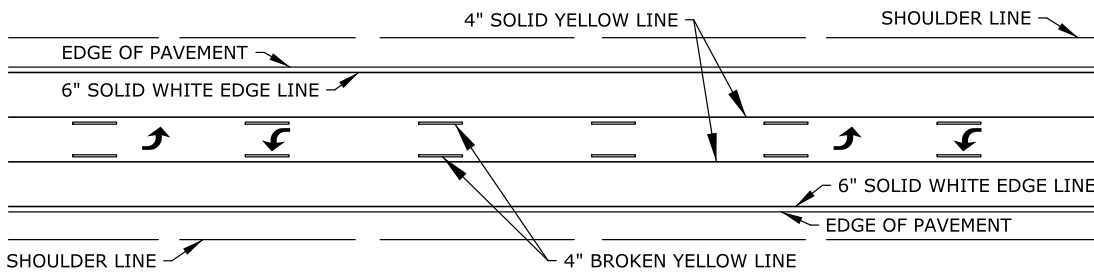


TYPICAL SPACING FOR DOTTED EXTENSION LINES, UNLESS OTHERWISE NOTED ON PLANS.



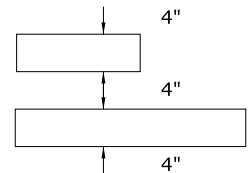
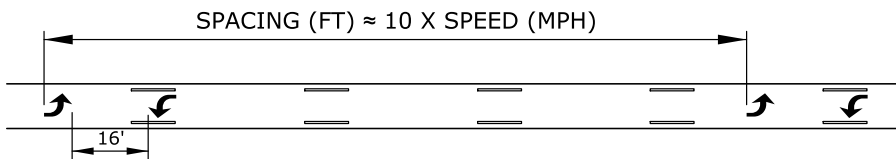
TYPICAL SPACING FOR LANE DROP. UNLESS OTHERWISE NOTED ON PLANS.

TWO-WAY LEFT TURN DETAIL FOR FIVE LANE ROADWAY



TYPICAL SPACING FOR BROKEN LINES UNLESS OTHERWISE NOTED ON PLANS

TWO-WAY LEFT TURN DETAIL FOR THREE LANE ROADWAY



TYPICAL SPACING FOR NO PASSING LINES UNLESS OTHERWISE NOTED ON PLANS

TWO-WAY LEFT TURN ARROW SPACING DETAIL

NOTE:  
IF ARROWS ARE USED SPACE THE ARROWS AS SHOWN IN THE SPACING DETAIL.

3	5/25/02	Added Dotted Extension and Lane Drop Lines	B.A.J.L.	B.D.G.
2	9/20/05	Removed Aux. Passing Lane Dotted Ext. Line	J.F.F.	B.D.G.
1	7/26/05	New FHWA Approval Date	J.F.F.	B.D.G.
NO.	DATE	REVISIONS	BY	APP'D

KANSAS DEPARTMENT OF TRANSPORTATION  
TYPICAL PAVEMENT MARKING DETAILS FOR UNDIVIDED ROADWAYS

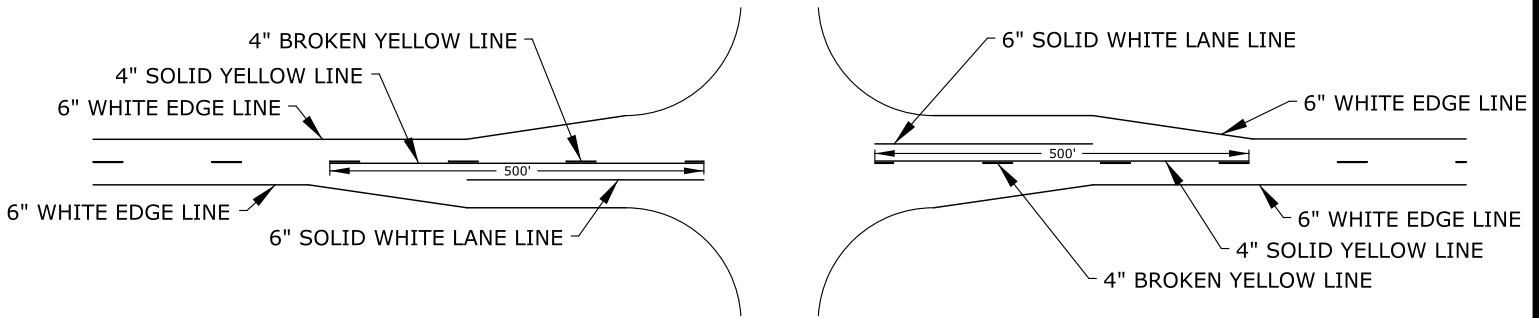
TE308

FHWA APPROVAL	5/25/2002	APP'D	Brian D. Gower
DESIGNED	J.F.F./DETAL	J.F.F./QUANTITIES	TRACED
DESIGN CK.	B.D.G./DETAL CK.	B.D.G./QUAN. CK.	TRACE CK.

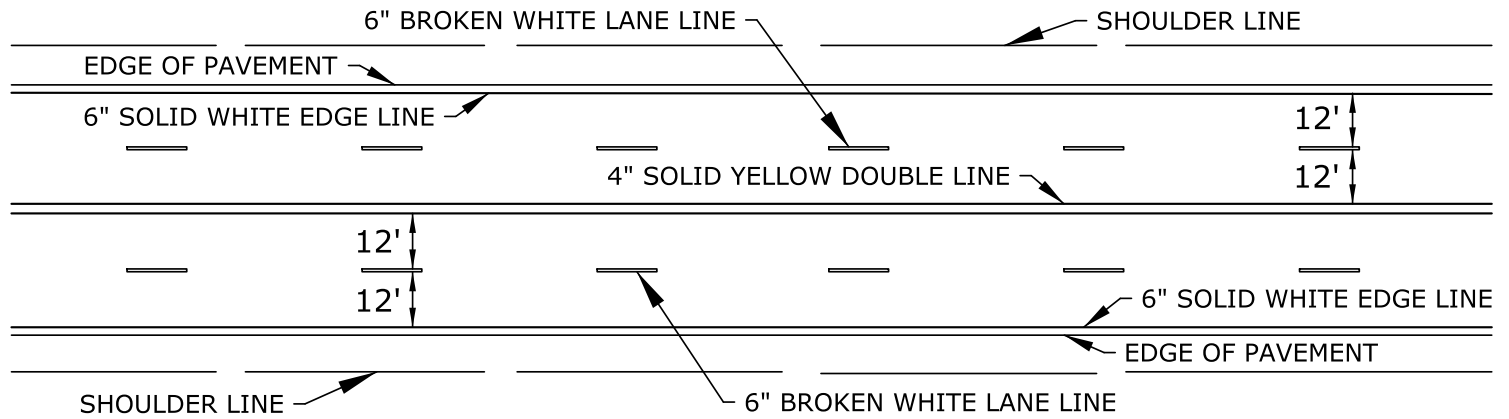
NOTE:  
ALL PAVEMENT MARKINGS SHALL BE BROKEN AT  
CROSS ROADS.

156-28-KA- 5054 -01

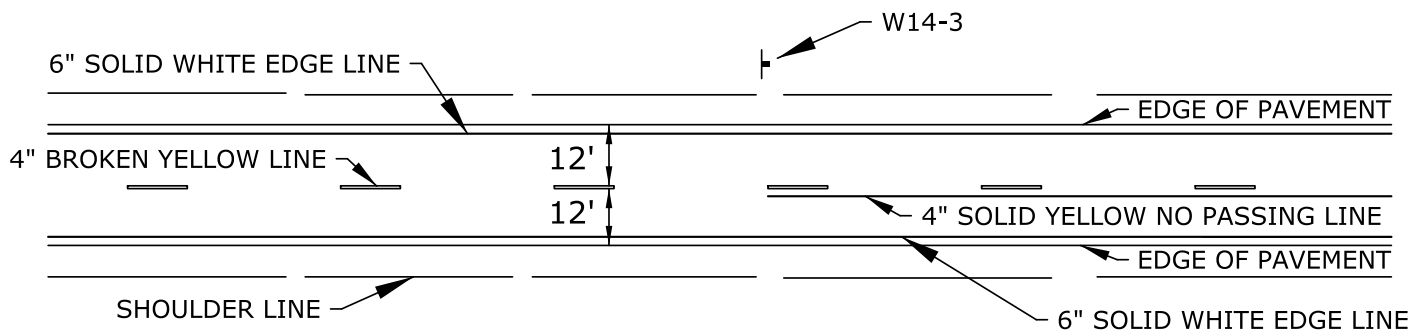
FOR HIGHWAY JUNCTIONS THE NO PASSING  
ZONE WILL EXTEND 1000' FROM INTERSECTION.



TYPICAL ROAD JUNCTION MARKINGS WITH BYPASS LANES



TYPICAL MARKINGS FOR FOUR LANE ROADWAY



TYPICAL TWO LANE MARKINGS

NOTE:  
LONGITUDINAL PAVEMENT MARKING LINES SHALL BE OFFSET  
A MINIMUM OF 2" FROM LONGITUDINAL PAVEMENT JOINTS.

Pg 2 of 2

NOTE:  
ON NON I, US, AND K ROUTES, 4" EDGE LINES MAY BE INSTALLED.  
6" EDGE LINES ARE NOT REQUIRED ON NON I, US, AND K ROUTES.

3	5/25/02	Added Dotted Extension and Lane Drop Lines	J.F.F.	B.D.G.
2	9/20/05	Removed Aux. Passing Lane Dotted Ext. Line	J.F.F.	B.D.G.
1	7/26/05	New FHWA Approval Date	J.F.F.	B.D.G.
NO.	DATE	REVISIONS	BY	APP'D
KANSAS DEPARTMENT OF TRANSPORTATION TYPICAL PAVEMENT MARKING DETAILS FOR UNDIVIDED ROADWAYS				
TE308				
FHWA APPROVAL		5/25/2002	APP'D	Brian D. Gower
DESIGNED	J.F.F.	DETAILED	J.F.F.	QUANTITIES
DESIGN CK.	B.D.G.	DETAIL CK.	B.D.G.	QUAN. CK.
		TRACED		TRACE CK.

<b>RECAPITULATION OF QUANTITIES</b>		
ITEMS	TOTAL	UNITS
PAVEMENT MARKING (MULTI-COMPONENT)(WHITE)(4")		ft
PAVEMENT MARKING (MULTI-COMPONENT)(WHITE)(6")	224,372	ft
PAVEMENT MARKING (MULTI-COMPONENT)(WHITE)(8")		ft
PAVEMENT MARKING (MULTI-COMPONENT)(WHITE)(12")		ft
PAVEMENT MARKING (MULTI-COMPONENT)(YELLOW)(4")	55,937	ft
PAVEMENT MARKING (MULTI-COMPONENT)(YELLOW)(12")	349	ft
PAVEMENT MARKING SYMBOL ( ) (WHITE) ( )		EACH
PAVEMENT MARKING SYMBOL ( ) (WHITE) ( )		EACH
PAVEMENT MARKING SYMBOL ( ) (WHITE) ( )		EACH
PAVEMENT MARKING SYMBOL ( ) (WHITE) ( )		EACH
PAVEMENT MARKING (EPOXY)(WHITE)(4")		ft
PAVEMENT MARKING (EPOXY)(WHITE)(6")		ft
PAVEMENT MARKING (EPOXY)(WHITE)(8")		ft
PAVEMENT MARKING (EPOXY)(WHITE)(12")		ft
PAVEMENT MARKING (EPOXY)(YELLOW)(4")		ft
PAVEMENT MARKING (EPOXY)(YELLOW)(12")		ft
PAVEMENT MARKING (PREFORMED THERMOPLASTIC)(WHITE)(12")		ft
PAVEMENT MARKING (PREFORMED THERMOPLASTIC)(WHITE)(24")		ft
PAVEMENT MARKING (PREFORMED THERMOPLASTIC)(YELLOW)(12")		ft
PAVEMENT MARKING SYMBOL (INTERSECTION GRADE)(WHITE) ( RXR X'ING )		EACH
PAVEMENT MARKING SYMBOL (INTERSECTION GRADE)(WHITE) (LT. ARROW)		EACH
PAVEMENT MARKING SYMBOL (INTERSECTION GRADE)(WHITE) ( RT. ARROW)		EACH
PAVEMENT MARKING SYMBOL (INTERSECTION GRADE)(WHITE) (STOP BAR)(24")		EACH
PAVEMENT MARKING (PATTERNED COLD PLASTIC)(WHITE)(6")		ft
PAVEMENT MARKING REMOVAL		ft

**NOTE:**

WORDS & SYMBOLS SHALL CONFORM TO THE LATEST EDITION OF "STANDARD ALPHABETS FOR HIGHWAY SIGNS AND PAVEMENT MARKINGS" PRINTED BY THE U.S. DEPARTMENT OF TRANSPORTATION FEDERAL HIGHWAY ADMINISTRATION.

PRIOR TO COMMENCEMENT OF PAVEMENT MARKING WORK THE ENGINEER WILL ESTABLISH THE LIMITS FOR "NO PASSING" ZONES. THESE LIMITS SHALL BE USED FOR THE LOCATION OF " NO PASSING" LINES AND FOR THE COMPUTATION OF ACTUAL MARKING QUANTITIES FOR THIS LINE TYPE

**SUMMARY OF PAVEMENT MARKINGS**

LOCATION	6" Solid WHITE Edge Line	6" Broken WHITE Lane Line	6" Broken WHITE Lane Line (PCP)	6" Solid WHITE Channelize Line	6" Solid WHITE Line	8" Solid WHITE Gore Line	12" Solid WHITE Diagonal Line	12" Solid WHITE Chevron Line	12" Solid WHITE Type I Crosswalk Line	24" Solid WHITE Type II Crosswalk Line	24" Solid WHITE Stop Line R/R X'ING	4" Solid YELLOW Edge Line	4" Solid YELLOW Double Line	4" Solid YELLOW Line No Passing Line	4" Broken YELLOW Line	12" Solid YELLOW Diagonal Line
West End		64										2486				166
Antelope Hills West Side				275								3716				119
Antelope Hills East Side													2378			64
Mennonite Road				320												
Concannon Lake Road				372												
													1144			
														19043		
															27190	
Right Lane	111,654															
Left Lane	111,687															
<b>TOTALS for page 1</b>	223341	64	0	967	0	0	0	0	0	0	0	0	9704	19043	27190	349

NOTE: ALL TOTALS REFLECT ACTUAL QUANTITY OF PAVEMENT MARKING MATERIALS REQUIRED

Project No. 3 Concrete to Rest

**156-28-KA- 5054 -01**

**SUMMARY OF TRAFFIC CONTROL DEVICES  
(FOR INFORMATION ONLY)**

All traffic control devices shall be placed in accordance with the applicable KDOT Traffic Control Standards. The contractor shall provide all signs and other traffic control devices for proper traffic control of all construction activities. Quantities listed are estimates only. Contractor operations may require additional signs and traffic control devices, this will be subsidiary to the bid item traffic control.

WORK ZONE SIGNS *			
SIGN NO.	SIZE - SQ. FT.		
	0-9.25	9.26-16.25	16.26 & OVER
R2-1	4		
R4-1	2		
W3-4		2	
W3-5		2	
W8-11			
W14-3		2	
W20-1		2	
W20-4		2	
W20-5			
W20-7		4	
W21-5			
W8-15		2	
W8-15P	2		
G20-4			
KM4-20	2		
KG20-2	4		
KI-104a			
KG-20-5	2		

LIGHTED DEVICES *	
WORK ZONE WARNING LIGHT (TYPE "A" LOW INTENSITY)	
WORK ZONE WARNING LIGHT (RED TYPE "B" HIGH INTENSITY)	
ARROW DISPLAY	0
PORTABLE CHANGEABLE MESSAGE SIGN	0

BARRICADES *		CHANNELIZING DEVICES *		
TYPE III (4' TO 12')	PEDESTRIAN	FIXED	PORTABLE	PEDESTRIAN
			160	

**SUMMARY OF TRAFFIC CONTROL DEVICES  
(EACH)**

WORK ZONE SIGN (SPECIAL)		
SIGN NO.	16.25 SQ. FT. & LESS	16.26 SQ. FT. & OVER

REPLACEMENT MODULES (FOR INFO ONLY)	
F-200	
F-400	
F-700	
F-1400	
F-2100	
TEMP.IMPACT ATTENUATOR MODULES	
TL-2	
TL-3	
NOSE PIECE	

**RECAPITULATION OF QUANTITIES**

ITEM	QUANTITY	UNIT
WORK ZONE SIGNS (0 TO 9.25 SQ. FT.)		EADA
WORK ZONE SIGNS (9.26 TO 16.25 SQ. FT.)		EADA
WORK ZONE SIGNS (16.26 SQ. FT. & OVER)		EADA
WORK ZONE BARRICADES (TYPE 3 - 4' TO 12')		EADA
WORK ZONE BARRICADES (PEDESTRIAN)		EADA
CHANNELIZER (FIXED)		EADA
CHANNELIZER (PORTABLE)		EADA
CHANNELIZER (PEDESTRIAN)		EADA
WORK ZONE WARNING LIGHT (TYPE "A" LOW INTENSITY)		EADA
WORK ZONE WARNING LIGHT (RED TYPE "B" HIGH INTENSITY)		EADA
ARROW DISPLAY		EADA
PORTABLE CHANGEABLE MESSAGE SIGN		EADA
PAVEMENT MARKING (TEMPORARY)		STA./LINE
4" SOLID (TYPE I)		STA./LINE
4" SOLID (TYPE II)		STA./LINE
4" BROKEN (8')(TYPE I)		STA./LINE
4" BROKEN (8')(TYPE II)	1126.3	STA./LINE
4" BROKEN (3')(TYPE I)		STA./LINE
4" BROKEN (3')(TYPE II)		STA./LINE
4" DOTTED EXTENSION (TYPE I)		STA./LINE
4" DOTTED EXTENSION (TYPE II)		STA./LINE
SOLID (LINE MASKING TAPE)		STA./LINE
BROKEN (LINE MASKING TAPE)		STA./LINE
SYMBOL (TYPE I)		EACH
SYMBOL (TYPE II)		EACH
FLEXIBLE RAISED PAVEMENT MARKERS (4" BROKEN (8'))		STA./LINE
FLEXIBLE RAISED PAVEMENT MARKERS (4" BROKEN (3'))		STA./LINE
PAVEMENT MARKING REMOVAL		LIN. FT.
CONCRETE SAFETY BARRIER (TYPE F3) (TEMPORARY)		LIN. FT.
CONCRETE SAFETY BARRIER (TYPE F3) (TEMP.-INSTALL ONLY)		LIN. FT.
CONCRETE SAFETY BARRIER (TYPE F3) (TEMP.-RELOCATE)		LIN. FT.
INERTIAL BARRIER SYSTEM		EACH
REPLACEMENT MODULES		EACH
WORK ZONE SIGN (SPECIAL) (16.25 SQ. FT. & LESS)		EACH
WORK ZONE SIGN (SPECIAL) (16.26 SQ. FT. & OVER)		EACH
RIGID RAISED PAVEMENT MARKER (TYPE I)		EACH
RIGID RAISED PAVEMENT MARKER (TYPE II)		EACH
TRAFFIC SIGNAL INSTALLATION (TEMPORARY)		LUMP SUM
TRAFFIC CONTROL (INITIAL SET UP)		LUMP SUM
TRAFFIC CONTROL	LUMPSUM	LUMP SUM
FLAGGER (SET PRICE)	1	HOUR

NOTES:

NO.	DATE	REVISIONS	BY	APP'D
3				
2				
1				

KANSAS DEPARTMENT OF TRANSPORTATION

**TRAFFIC CONTROL  
SUMMARY OF DEVICES  
RECAPITULATION OF QUANTITIES**  
TE796

FHWA APPROVAL	06/01/15	APP'D	Kristina Erickson
DESIGNED	B.A.H.	DETAILED	R.W.B.
DESIGN CK.		DETAIL CK.	
		QUANTITIES	TRACED
		QUAN. CK.	TRACE CK.

**FINNEY Co.**

**Proj. No. 156-28-KA- 5054 -01**

**Title: TRAFFIC CONTROL**