



General Notes

6/21/2018

Page 1 of 1

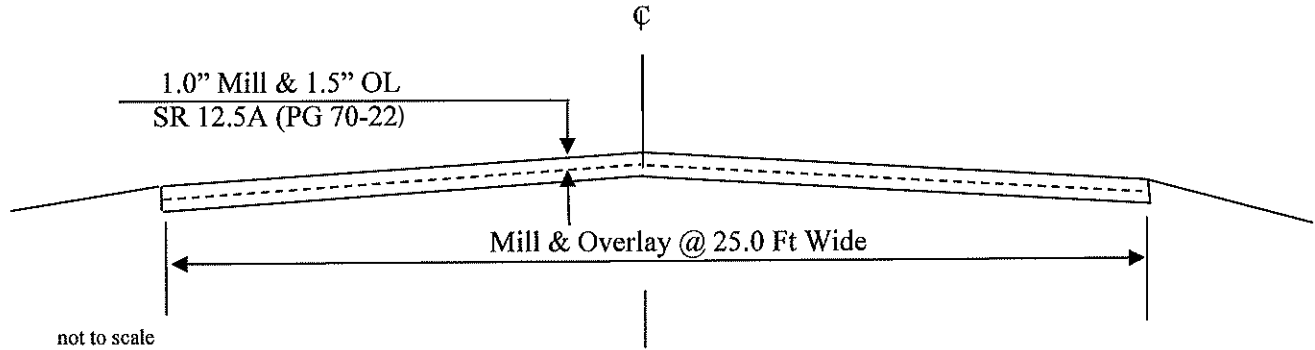
Project No. 23- 28 KA 5056-01

Note

- 1 All milled surfaces will be overlaid by the end of the day. No traffic will be allowed on the milled surface and the contractor must have a contingency plan in case of bad weather and/or equipment breakdown.
- 2 Millings: All remaining millings not used in the mix shall become the property of the contractor and hauled from the project.
- 3 Hauling and stockpiling of millings will not be paid for separately, but will be considered subsidiary to other items in the contract. Milling thickness will be adjusted at all approaches and grade crossings to allow for a reasonable transition.
- 4 Quantities for the milling are based on a nominal depth as shown on the typical at assumed unit weight of 145 lbs/cubic feet. The milling depth will not be increased if the unit weight is less than 145 lbs/cubic feet. The maximum depth will be as nominally shown on the typical section unless adjusted by the engineer in writing.
- 5 The contractor is responsible for establishing and maintaining centerline of the traveled way for the duration of the project. Splitting the traveled way with a tape measure is an acceptable technique to establish centerline. This work is considered subsidiary to other items in the contract.
- 6 To allow for a reasonable transition, the overlay is to be tapered approximately three feet at all paved roads and entrances. Existing surfaces to be cleaned and tacked before overlaid.
- 7 Contact Area Engineer at (620) 384-7821 for RAP sample location.

(MILL & OVERLAY SAME DAY)

TYPICAL SECTION



- Typical Slope 1.56 % on Tangents and on super-elevated sections to match existing super or as directed by the Engineer.

ROADWAY WIDTHS

ROADWAY MILL & OVERLAY SR 12.5A (PG 70-22)		Approx.		Approx.	
Location	miles	Width	Location	miles	Width
Begin @ West K-23/K-156 Junction, Thence East to East K-23/K-156 Junction	6.103	25.00'			
WIDEN(s)					
K-23 Rest Area Lt	0.2148	7.90'			
K-23 Rest Area Rt	0.2557	7.00'			

RATE OF APPLICATION

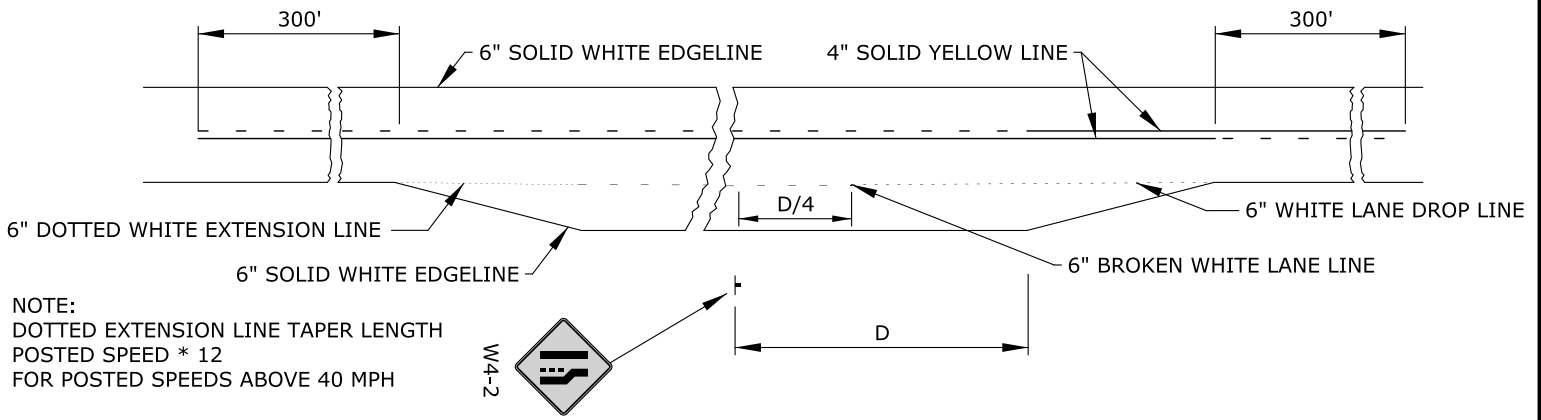
SR 12.5A (PG 70-22)

Quantity based on SR-12.5A @ 0.0816 t/sqyd @ 1.5" Thick

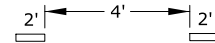
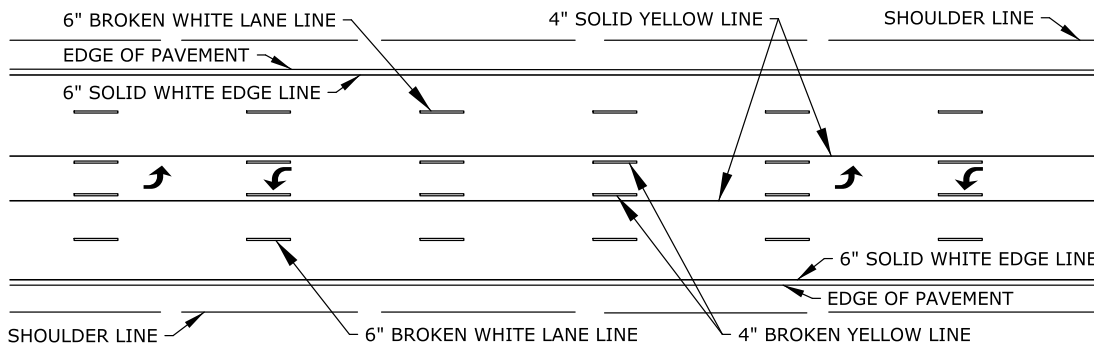
SS-1HP or approved alternate shall be used for Tack

Milling based on 0.0544 t/sqyd @ 1.0" Thick

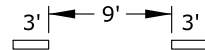
	Date: 06-21-2018	KANSAS DEPARTMENT OF TRANSPORTATION
FINNEY Co.	PROJ. NO. 23-28-KA- 5056 -01	TITLE: MILL/OVERLAY



TYPICAL MARKING FOR AUXILIARY PASSING LANE

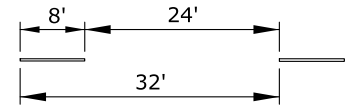
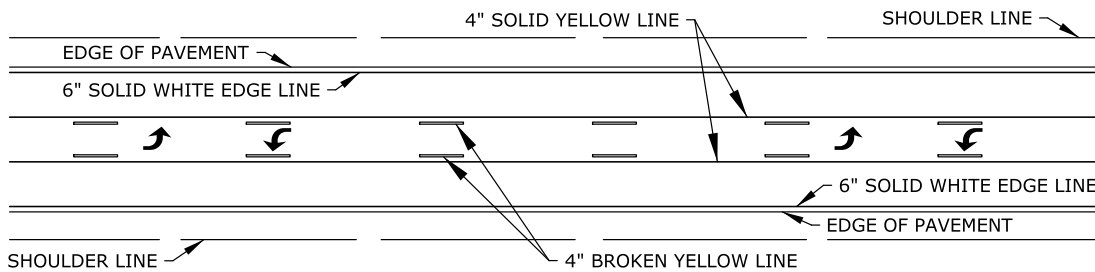


TYPICAL SPACING FOR DOTTED EXTENSION LINES, UNLESS OTHERWISE NOTED ON PLANS.



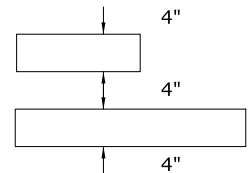
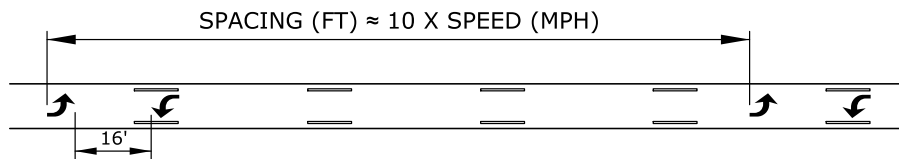
TYPICAL SPACING FOR LANE DROP. UNLESS OTHERWISE NOTED ON PLANS.

TWO-WAY LEFT TURN DETAIL FOR FIVE LANE ROADWAY



TYPICAL SPACING FOR BROKEN LINES UNLESS OTHERWISE NOTED ON PLANS

TWO-WAY LEFT TURN DETAIL FOR THREE LANE ROADWAY



TYPICAL SPACING FOR NO PASSING LINES UNLESS OTHERWISE NOTED ON PLANS

TWO-WAY LEFT TURN ARROW SPACING DETAIL

NOTE:
IF ARROWS ARE USED SPACE THE ARROWS AS SHOWN IN THE SPACING DETAIL.

3	5/25/02	Added Dotted Extension and Lane Drop Lines	B.A.J.	B.D.G.
2	9/20/05	Removed Aux. Passing Lane Dotted Ext. Line	J.F.F.	B.D.G.
1	7/26/05	New FHWA Approval Date	J.F.F.	B.D.G.
NO.	DATE	REVISIONS	BY	APP'D

KANSAS DEPARTMENT OF TRANSPORTATION
TYPICAL PAVEMENT MARKING DETAILS FOR UNDIVIDED ROADWAYS

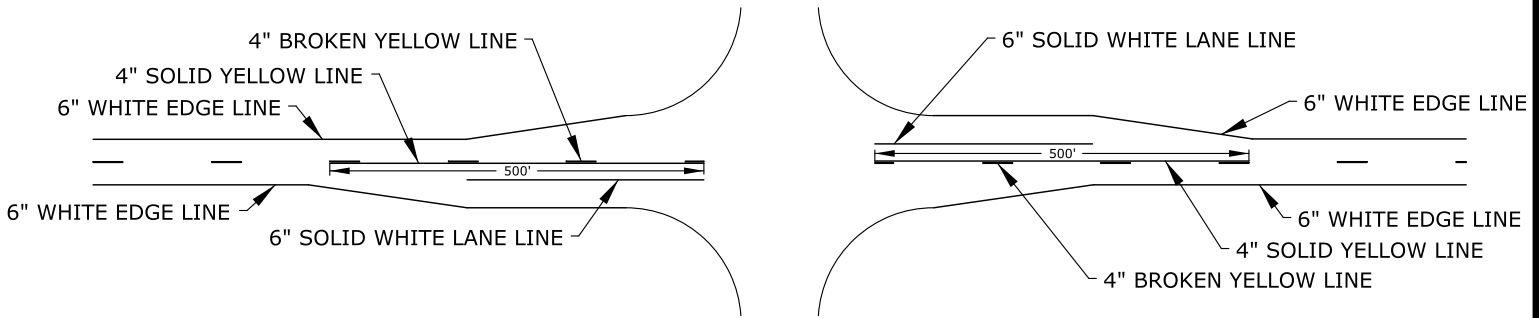
TE308

FHWA APPROVAL	5/25/2002	APP'D	Brian D. Gower
DESIGNED	J.F.F./DETAL	J.F.F./QUANTITIES	TRACED
DESIGN CK.	B.D.G./DETAL CK.	B.D.G./QUAN. CK.	TRACE CK.

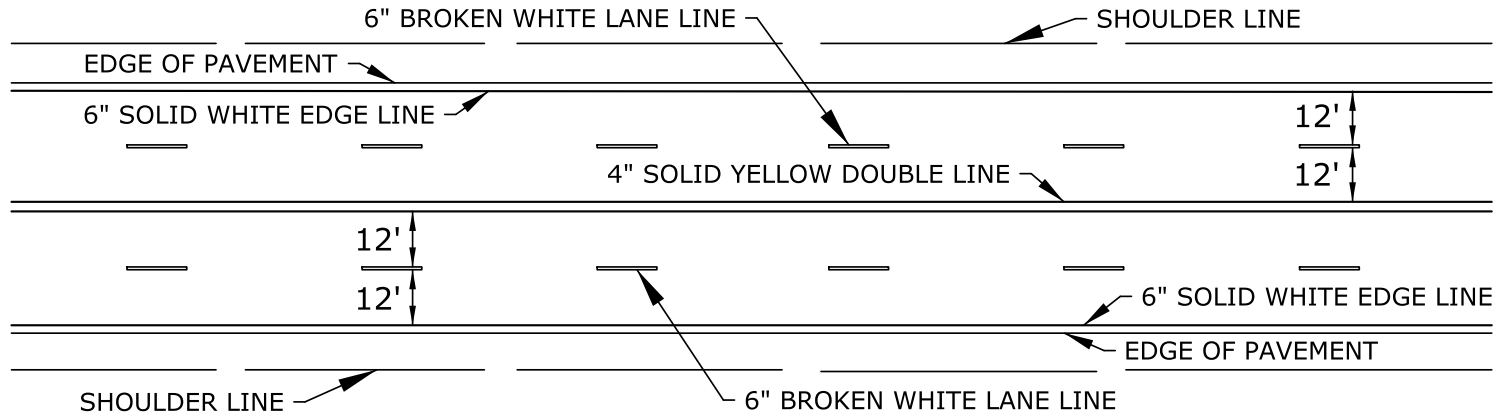
NOTE:
ALL PAVEMENT MARKINGS SHALL BE BROKEN AT
CROSS ROADS.

23-28-KA- 5056 -01

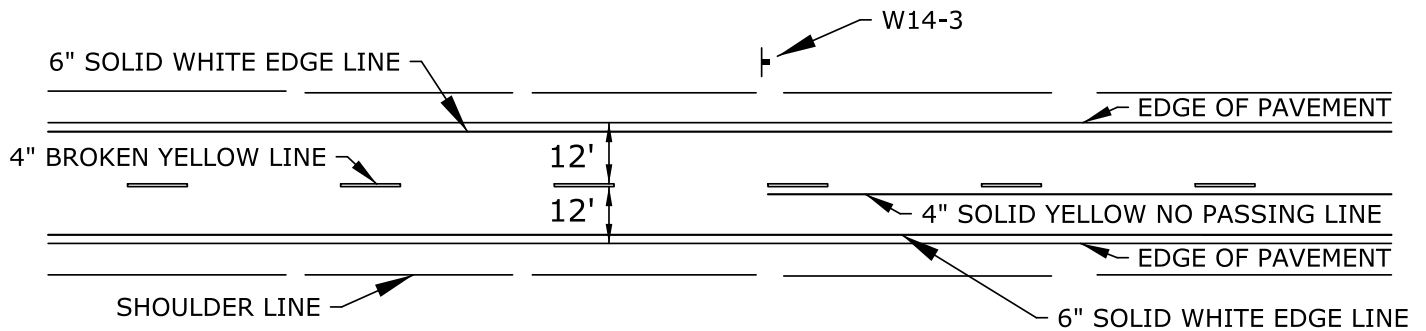
FOR HIGHWAY JUNCTIONS THE NO PASSING
ZONE WILL EXTEND 1000' FROM INTERSECTION.



TYPICAL ROAD JUNCTION MARKINGS WITH BYPASS LANES



TYPICAL MARKINGS FOR FOUR LANE ROADWAY



TYPICAL TWO LANE MARKINGS

NOTE:
LONGITUDINAL PAVEMENT MARKING LINES SHALL BE OFFSET
A MINIMUM OF 2" FROM LONGITUDINAL PAVEMENT JOINTS.

Pg 2 of 2

NOTE:
ON NON I, US, AND K ROUTES, 4" EDGE LINES MAY BE INSTALLED.
6" EDGE LINES ARE NOT REQUIRED ON NON I, US, AND K ROUTES.

3	5/25/02	Added Dotted Extension and Lane Drop Lines	J.F.F.	B.D.G.
2	9/20/05	Removed Aux. Passing Lane Dotted Ext. Line	J.F.F.	B.D.G.
1	7/26/05	New FHWA Approval Date	J.F.F.	B.D.G.
NO.	DATE	REVISIONS	BY	APP'D
KANSAS DEPARTMENT OF TRANSPORTATION TYPICAL PAVEMENT MARKING DETAILS FOR UNDIVIDED ROADWAYS				
TE308				
FHWA APPROVAL		5/25/2002	APP'D	Brian D. Gower
DESIGNED	J.F.F.	DETAILED	J.F.F.	QUANTITIES
DESIGN CK.	B.D.G.	DETAIL CK.	B.D.G.	QUAN. CK.
		TRACED		TRACE CK.

RECAPITULATION OF QUANTITIES		
ITEMS	TOTAL	UNITS
PAVEMENT MARKING (MULTI-COMPONENT)(WHITE)(4")		ft
PAVEMENT MARKING (MULTI-COMPONENT)(WHITE)(6")	63,930	ft
PAVEMENT MARKING (MULTI-COMPONENT)(WHITE)(8")		ft
PAVEMENT MARKING (MULTI-COMPONENT)(WHITE)(12")		ft
PAVEMENT MARKING (MULTI-COMPONENT)(YELLOW)(4")	21,825	ft
PAVEMENT MARKING (MULTI-COMPONENT)(YELLOW)(12")		ft
PAVEMENT MARKING SYMBOL () (WHITE) ()		EACH
PAVEMENT MARKING SYMBOL () (WHITE) ()		EACH
PAVEMENT MARKING SYMBOL () (WHITE) ()		EACH
PAVEMENT MARKING SYMBOL () (WHITE) ()		EACH
PAVEMENT MARKING (EPOXY)(WHITE)(4")		ft
PAVEMENT MARKING (EPOXY)(WHITE)(6")		ft
PAVEMENT MARKING (EPOXY)(WHITE)(8")		ft
PAVEMENT MARKING (EPOXY)(WHITE)(12")		ft
PAVEMENT MARKING (EPOXY)(YELLOW)(4")		ft
PAVEMENT MARKING (EPOXY)(YELLOW)(12")		ft
PAVEMENT MARKING (PREFORMED THERMOPLASTIC)(WHITE)(12")		ft
PAVEMENT MARKING (PREFORMED THERMOPLASTIC)(WHITE)(24")		ft
PAVEMENT MARKING (PREFORMED THERMOPLASTIC)(YELLOW)(12")		ft
PAVEMENT MARKING SYMBOL (INTERSECTION GRADE)(WHITE) (RXR X'ING)		EACH
PAVEMENT MARKING SYMBOL (INTERSECTION GRADE)(WHITE) (LT. ARROW)		EACH
PAVEMENT MARKING SYMBOL (INTERSECTION GRADE)(WHITE) (RT. ARROW)		EACH
PAVEMENT MARKING SYMBOL (INTERSECTION GRADE)(WHITE) (STOP BAR)(24")		EACH
PAVEMENT MARKING (PATTERNED COLD PLASTIC)(WHITE)(6")		ft
PAVEMENT MARKING REMOVAL		ft

NOTE:

WORDS & SYMBOLS SHALL CONFORM TO THE LATEST EDITION OF "STANDARD ALPHABETS FOR HIGHWAY SIGNS AND PAVEMENT MARKINGS" PRINTED BY THE U.S. DEPARTMENT OF TRANSPORTATION FEDERAL HIGHWAY ADMINISTRATION.

PRIOR TO COMMENCEMENT OF PAVEMENT MARKING WORK THE ENGINEER WILL ESTABLISH THE LIMITS FOR "NO PASSING" ZONES. THESE LIMITS SHALL BE USED FOR THE LOCATION OF " NO PASSING" LINES AND FOR THE COMPUTATION OF ACTUAL MARKING QUANTITIES FOR THIS LINE TYPE

SUMMARY OF PAVEMENT MARKINGS

LOCATION	6" Solid WHITE Edge Line	6" Broken WHITE Lane Line	6" Solid WHITE Channelize Line	6" Solid WHITE Lane Line (FCP)	6" Solid WHITE Gore Line	12" Solid WHITE Diagonal Line	12" Solid WHITE Chevron Line	12" Solid WHITE Type I Crosswalk Line	24" Solid WHITE Type II Crosswalk Line	24" Solid WHITE Stop Line R/R X'ING	4" Solid YELLOW Edge Line	4" Solid YELLOW Double Line	4" Solid YELLOW No Passing Line	4" Broken YELLOW Line	4" Solid YELLOW No Passing Line
Right Lane	31770		182									6496	8238	7091	
Left Lane	31765		213												
TOTALS for page 1	63535	0	395	0	0	0	0	0	0	0	0	6496	8238	7091	0

NOTE: ALL TOTALS REFLECT ACTUAL QUANTITY OF PAVEMENT MARKING MATERIALS REQUIRED

23-28-KA- 5056 -01

Project No. K156 N K23 JCT t

**SUMMARY OF TRAFFIC CONTROL DEVICES
(FOR INFORMATION ONLY)**

All traffic control devices shall be placed in accordance with the applicable KDOT Traffic Control Standards. The contractor shall provide all signs and other traffic control devices for proper traffic control of all construction activities. Quantities listed are estimates only. Contractor operations may require additional signs and traffic control devices, this will be subsidiary to the bid item traffic control.

WORK ZONE SIGNS *			
SIGN NO.	SIZE -- SQ. FT.		
	0-9.25	9.26-16.25	16.26 & OVER
R2-1	4		
R4-1	2		
W3-4		2	
W3-5		2	
W8-11			
W14-3		2	
W20-1		2	
W20-4		2	
W20-5			
W20-7		4	
W21-5			
W8-15		2	
W8-15P	2		
G20-4			
KM4-20	2		
KG20-2	4		
KI-104a			
KG-20-5	2		

LIGHTED DEVICES *	
WORK ZONE WARNING LIGHT (TYPE "A" LOW INTENSITY)	
WORK ZONE WARNING LIGHT (RED TYPE "B" HIGH INTENSITY)	
ARROW DISPLAY	0
PORTABLE CHANGEABLE MESSAGE SIGN	0

BARRICADES *		CHANNELIZING DEVICES *		
TYPE III (4' TO 12')	PEDESTRIAN	FIXED	PORTABLE	PEDESTRIAN
			160	

**SUMMARY OF TRAFFIC CONTROL DEVICES
(EACH)**

WORK ZONE SIGN (SPECIAL)		
SIGN NO.	16.25 SQ. FT. & LESS	16.26 SQ. FT. & OVER

REPLACEMENT MODULES (FOR INFO ONLY)	
F-200	
F-400	
F-700	
F-1400	
F-2100	
TEMP.IMPACT ATTENUATOR MODULES	
TL-2	
TL-3	
NOSE PIECE	

RECAPITULATION OF QUANTITIES

ITEM	QUANTITY	UNIT
WORK ZONE SIGNS (0 TO 9.25 SQ. FT.)		EADA
WORK ZONE SIGNS (9.26 TO 16.25 SQ. FT.)		EADA
WORK ZONE SIGNS (16.26 SQ. FT. & OVER)		EADA
WORK ZONE BARRICADES (TYPE 3 - 4' TO 12')		EADA
WORK ZONE BARRICADES (PEDESTRIAN)		EADA
CHANNELIZER (FIXED)		EADA
CHANNELIZER (PORTABLE)		EADA
CHANNELIZER (PEDESTRIAN)		EADA
WORK ZONE WARNING LIGHT (TYPE "A" LOW INTENSITY)		EADA
WORK ZONE WARNING LIGHT (RED TYPE "B" HIGH INTENSITY)		EADA
ARROW DISPLAY		EADA
PORTABLE CHANGEABLE MESSAGE SIGN		EADA
PAVEMENT MARKING (TEMPORARY)		STA./LINE
4" SOLID (TYPE I)		STA./LINE
4" SOLID (TYPE II)		STA./LINE
4" BROKEN (8")(TYPE I)		STA./LINE
4" BROKEN (8")(TYPE II)	322.2	STA./LINE
4" BROKEN (3")(TYPE I)		STA./LINE
4" BROKEN (3")(TYPE II)		STA./LINE
4" DOTTED EXTENSION (TYPE I)		STA./LINE
4" DOTTED EXTENSION (TYPE II)		STA./LINE
SOLID (LINE MASKING TAPE)		STA./LINE
BROKEN (LINE MASKING TAPE)		STA./LINE
SYMBOL (TYPE I)		EACH
SYMBOL (TYPE II)		EACH
FLEXIBLE RAISED PAVEMENT MARKERS (4" BROKEN (8"))		STA./LINE
FLEXIBLE RAISED PAVEMENT MARKERS (4" BROKEN (3"))		STA./LINE
PAVEMENT MARKING REMOVAL		LIN. FT.
CONCRETE SAFETY BARRIER (TYPE F3) (TEMPORARY)		LIN. FT.
CONCRETE SAFETY BARRIER (TYPE F3) (TEMP.-INSTALL ONLY)		LIN. FT.
CONCRETE SAFETY BARRIER (TYPE F3) (TEMP.-RELOCATE)		LIN. FT.
INERTIAL BARRIER SYSTEM		EACH
REPLACEMENT MODULES		EACH
WORK ZONE SIGN (SPECIAL) (16.25 SQ. FT. & LESS)		EACH
WORK ZONE SIGN (SPECIAL) (16.26 SQ. FT. & OVER)		EACH
RIGID RAISED PAVEMENT MARKER (TYPE I)		EACH
RIGID RAISED PAVEMENT MARKER (TYPE II)		EACH
TRAFFIC SIGNAL INSTALLATION (TEMPORARY)		LUMP SUM
TRAFFIC CONTROL (INITIAL SET UP)		LUMP SUM
TRAFFIC CONTROL	LUMPSUM	LUMP SUM
FLAGGER (SET PRICE)	1	HOUR

NOTES:

NOTES:

NO.	DATE	REVISIONS	BY	APP'D
3				
2				
1				

KANSAS DEPARTMENT OF TRANSPORTATION

**TRAFFIC CONTROL
SUMMARY OF DEVICES
RECAPITULATION OF QUANTITIES**
TE796

FHWA APPROVAL	06/01/15	APP'D	Kristina Erickson
DESIGNED	B.A.H.	DETAILED	R.W.B.
DESIGN CK.		DETAIL CK.	
		QUANTITIES	TRACED
		QUAN. CK.	TRACE CK.

FINNEY Co.

Proj. No. 23-28-KA- 5056-01

Title: TRAFFIC CONTROL